



## HH-“EE” Series Hot Cabinets



Service and Parts Manual  
Original, American English








# Contents



<b>1. Use and Precautions</b> .....	<b>4</b>
a. Symbols, Signal Words, and Precautionary Statements: .....	4
b. Electrical Safety:.....	5
c. Heat Safety:.....	5
d. Handling Safety: .....	5
e. Personal Protective Equipment: .....	6
<b>2. Setting Up the Hot Cabinet</b> .....	<b>7</b>
a. Changing the Hinge Position: .....	7
b. High Limit Reset: .....	11
c. Turn ON and OFF Hot Cabinet:.....	12
<b>3. Cleaning</b> .....	<b>13</b>
a. Before Cleaning:.....	13
b. For Best Results: .....	13
c. Cleaning Solution Chart:.....	14
d. Cleaning Temperature Probe:.....	14
<b>4. Troubleshooting</b> .....	<b>15</b>
a. If the Hot Cabinet is not working, check the following:.....	15
b. TROUBLE-SHOOTING CHART: .....	16
c. ERROR CODES:.....	16
<b>5. WIRING DIAGRAM:</b> .....	<b>23</b>
a. Models: 500HH1EE, 750HH1EE, 1000HH1EE, 1200HH1EE .....	23
b. Models: 1000HH2EE, 1200HH2EE .....	24

# 1. Use and Precautions


## a. Symbols, Signal Words, and Precautionary Statements:

Danger symbol	Meaning
	Used to warn of possible injury. Comply with all instructions following the Danger symbol to avoid possible injury or death.

Signal word	Meaning
	Indicates a hazardous situation which, if not avoided, will result in death or serious injury.
	Indicates a hazardous situation which, if not avoided, could result in death or serious injury
	Indicates a hazardous situation which, if not avoided, could result in minor or moderate injury.
	Indicates a hazardous situation which, if not avoided, could result in property damage.

Warning symbol	Meaning
	High Voltage Area / Electric Shock Hazard Warning There is a risk of electrical shock from live parts if cover is removed or if unit is sprayed with water.
	Hot Surface Warning There is a risk of burns from hot surfaces

### Additional symbols

Symbol	Meaning
	Read and understand the operating instructions before using the cabinet.

## Electrical Safety:

### **WARNING** : ELECTRICAL SHOCK HAZARD

- Do not use extension cords.
- Do not use the cabinet if the cord or plug are damaged in any way.
- Do not use the cabinet in excessively wet conditions.
- Do not remove any covers from the cabinet. There are no user serviceable parts inside.
- If the power supply cord is damaged, it must be replaced by the manufacturer, its service agent or similarly qualified persons in order to avoid a hazard.

### **CAUTION** : ELECTRICAL SHOCK HAZARD

- Only connect this cabinet to power outlets that match the specifications on the label on the back of the cabinet near the cord entry.

## Heat Safety:

### **CAUTION** : BURN HAZARD

- The outside surfaces of the cabinet may become hot. Do not touch them or place anything on them that may be damaged by heat.
- Use only in an adequately ventilated area.
- The inside of the cabinet will become hot. Use personal protective equipment.
- Hot air will escape when the cabinet door is opened.
- Keep all flammable materials away from the cabinet.
- Keep any materials that can be damaged by heat away from the cabinet.
- Do not put any heat sensitive food packaging or containers in the cabinet.
- Do not put food into the cabinet until the First Time Start-up burn-off procedure has been completed.
- Do not put anything inside the cabinet that may emit harmful fumes when heated.

## Handling Safety:

### **WARNING** : MOVING HEAVY LOAD HAZARD

- Make sure you have the appropriate lifting equipment when unpacking or loading equipment onto a truck.
- Make sure you have enough personnel to move the cabinet.
- Make sure to wear the required personal protective equipment.
- Do not move equipment on too steep of incline.
- Be careful when moving equipment over thresholds.

## Personal Protective Equipment:

It is mandatory that Personal Protective Equipment is worn according to the job performed while moving, installing, and using the cabinet.

### 1. Moving cabinet to worksite

Task	Tools used	Personal Protective Equipment
<ul style="list-style-type: none"> <li>• Removing packaging</li> <li>• Removing cabinet from pallet</li> </ul>	<ul style="list-style-type: none"> <li>• Utility knife/box cutter</li> <li>• Lifting straps</li> </ul>	<ul style="list-style-type: none"> <li>• Protective eyewear</li> <li>• Protective gloves</li> <li>• Safety footwear</li> </ul>
<ul style="list-style-type: none"> <li>• Moving equipment within the facility</li> <li>• Stacking on a stacking kit</li> </ul>	<ul style="list-style-type: none"> <li>• Forklift or pallet jack</li> <li>• Lifting straps</li> </ul>	<ul style="list-style-type: none"> <li>• Protective eyewear</li> <li>• Protective gloves</li> <li>• Safety footwear</li> </ul>

### 2. Installation and preparing cabinet for service

Task	Tools used	Personal Protective Equipment
<ul style="list-style-type: none"> <li>• Removing packaging</li> <li>• Removing cabinet from pallet</li> </ul>	<ul style="list-style-type: none"> <li>• Utility knife/box cutter</li> <li>• Lifting straps</li> </ul>	<ul style="list-style-type: none"> <li>• Protective eyewear</li> <li>• Protective gloves</li> <li>• Safety footwear</li> </ul>
<ul style="list-style-type: none"> <li>• Installing electrical connection if necessary</li> </ul>	<ul style="list-style-type: none"> <li>• Tools and equipment necessary for specific tasks</li> </ul>	<ul style="list-style-type: none"> <li>• Personal protective equipment and clothing based on the required task in accordance with country-specific regulations</li> </ul>
<ul style="list-style-type: none"> <li>• Preparing the cabinet for service</li> <li>• Briefing the cabinet user</li> </ul>	<ul style="list-style-type: none"> <li>• Tools and equipment necessary for specific tasks</li> </ul>	Wear appropriate work clothes for kitchen work as required by country-specific standards and regulations, including: <ul style="list-style-type: none"> <li>• Protective clothing</li> <li>• Heat-resistant gloves</li> <li>• Safety footwear</li> </ul>

### 3. Using the cabinet

Task	Tools used	Personal Protective Equipment
<ul style="list-style-type: none"> <li>• Loading/Unloading</li> </ul>	Utensils	Heat protective gloves
<ul style="list-style-type: none"> <li>• Cleaning</li> </ul>	<ul style="list-style-type: none"> <li>• Cleaning agents</li> <li>• Scrub pad or brush</li> </ul>	<ul style="list-style-type: none"> <li>• Protective gloves designed for use with cleaning chemicals</li> <li>• Protective clothing</li> <li>• Protective eyewear</li> <li>• Face protection</li> </ul>

#### 4. Removing cabinet from service

Task	Tools used	Personal Protective Equipment
<ul style="list-style-type: none"><li>• Removing electrical connection from service if necessary</li></ul>	<ul style="list-style-type: none"><li>• Tools and equipment necessary for specific tasks</li></ul>	<ul style="list-style-type: none"><li>• Personal protective equipment and clothing based on the required task in accordance with country-specific regulations</li></ul>
<ul style="list-style-type: none"><li>• Removing the cabinet from service</li></ul>	<ul style="list-style-type: none"><li>• Forklift or pallet jack</li><li>• Lifting straps</li></ul>	<ul style="list-style-type: none"><li>• Protective eyewear</li><li>• Protective gloves</li><li>• Safety footwear</li></ul>

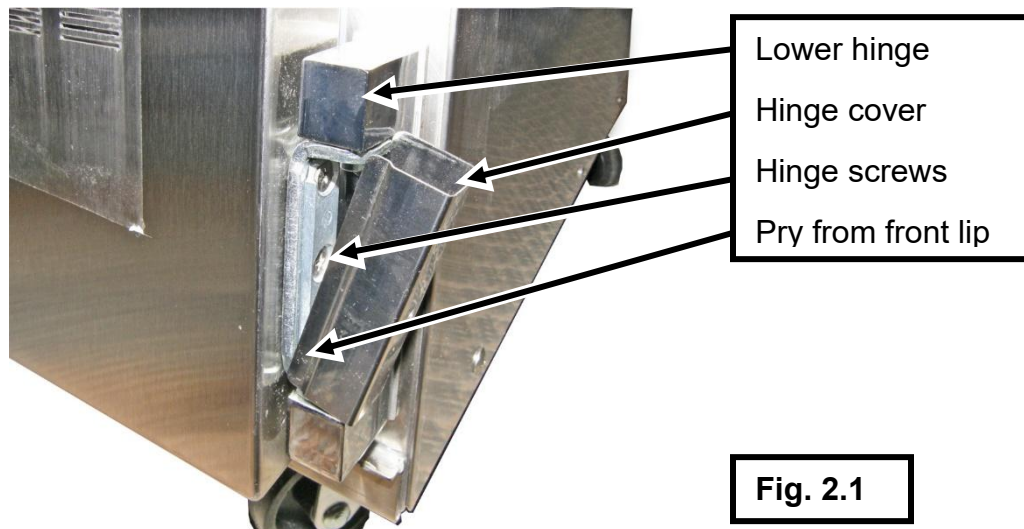
## 2. Setting Up the Hot Cabinet

### a. Changing the Hinge Position:

As delivered, the cabinet door is hinged on the right. It can be reversed to hinge on the left. If left hinge orientation works better for the user, follow the steps below.

**NOTE:** The screws are installed with thread locking compound. Significant inward force and turning force are needed to loosen them.

1. Pry the covers off the hinges using a small straight blade screwdriver. See Fig. 2.1.



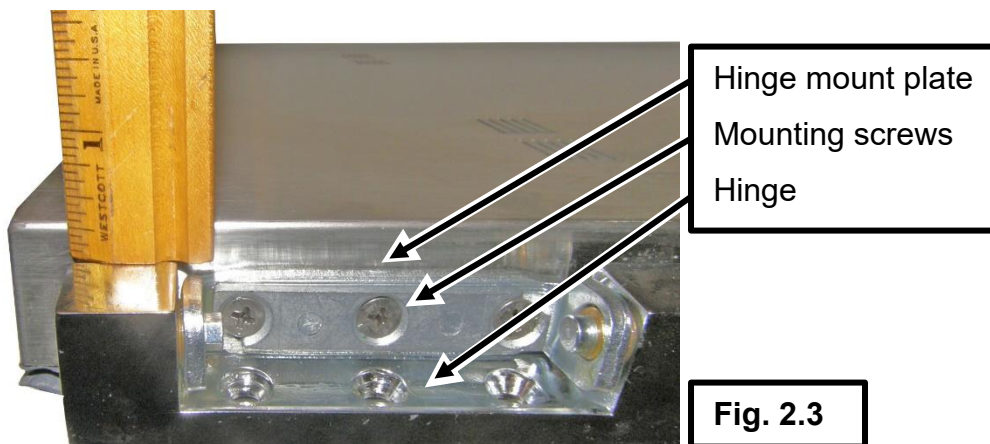
**Fig. 2.1**

2. Support the door with a wood block or similar item that will not scratch the finish. Corrugated cardboard makes useful shims. See Fig. 2.2.



**Fig. 2.2**

3. Remove the 3 screws that fasten each hinge to the cabinet using a #2 Phillips head screwdriver. See Fig 2.3.
4. Remove the door, and place it on a convenient work surface that will not scratch it.
5. Measure and note the location of the hinges. The hinge mounts are adjustable. See Fig. 2.3.



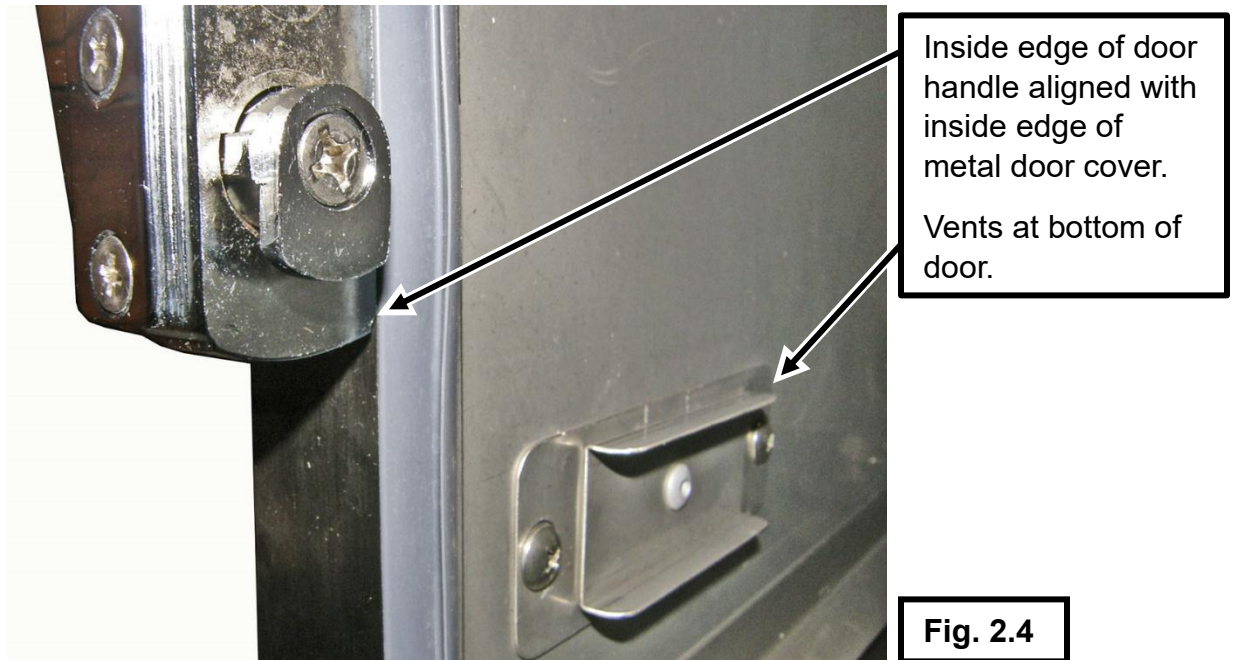
**Fig. 2.3**

6. Remove the 3 screws that hold each hinge and hinge mount plate to the right edge of the door.
7. Remove the corresponding door cover screws from the left edge of the door.
8. Install the door cover screws in the holes that held the hinge screws.
9. Install the hinges on the left side of the door, matching the original location of the hinge relative to the front surface of the door.

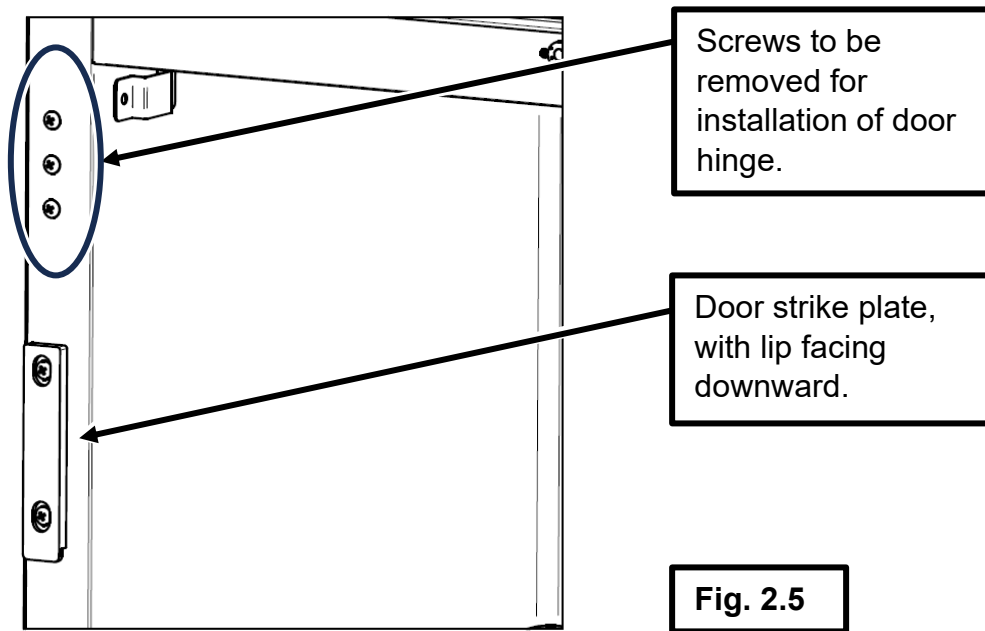
10. Remove the 4 screws that hold the door handle and mount plate from the left edge of the door.
11. Remove the corresponding door cover screws from the right edge of the door.
12. Install the cover mounting screws in the holes that held the handle.

**NOTE:** Correct orientation- The vents should be at the bottom of the door. The door handle faces upward for easy operation by standing personnel.

13. Install the handle and mount plate on the right edge of the door. The inside edge of the door handle should be flush with the inside edge of the metal part of the door. See Fig. 2.4.



14. Remove the 2 screws that hold the strike plate to the frame on the left of the cabinet. See Fig. 2.5.



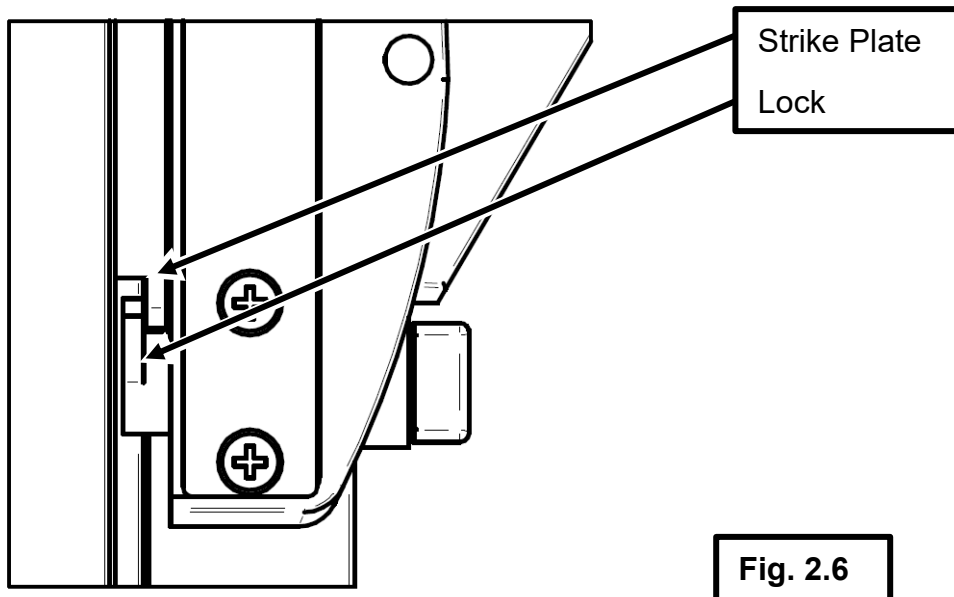
15. Remove the corresponding screws from the right side of the cabinet frame. Install those screws in the holes left by the removal of the strike plate.

16. Remove the 3 screws from where each hinge will be installed to the cabinet frame. Install them in the holes left empty by the removal of the hinges.

17. Mount the door-

- a. Support the door on the block used for removal.
- b. Confirm that the door is square to the cabinet and that the door completely clears the lip near the base of the cabinet.
- c. Carefully align the hinge mounting screws, hinges, and shims. Start the screws.
- d. Check the door fit and alignment as the screws are tightened.

18. Install the strike plate- The strike plate is adjustable for height. It should be mounted so that the lock engages the lip at the bottom of the strike plate. See Fig. 2.6.

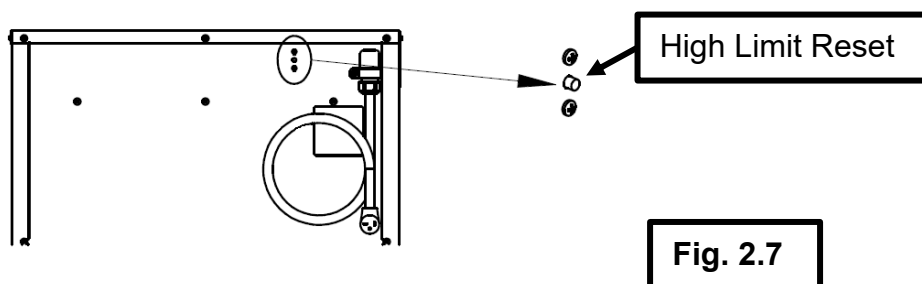


19. Confirm that the rubber gasket around the door seals against the cabinet face all the way around the door. Use a strip of paper to check for any gaps in the gasket seal. Place the small piece of paper, trapping it between the gasket and the cabinet face. Slowly pull the paper out. You should feel some tension as you do so; if not, the gasket may be weak at this point. Repeat this test around the entire length of the gasket. Loosen the hinge screws and door latch screws as needed to make the adjustments, then tighten them to secure the adjustments.

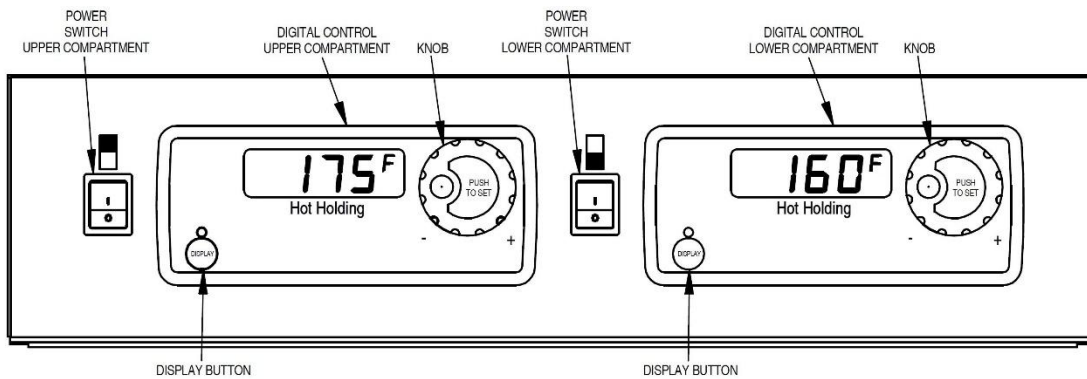
20. Install the hinge covers.

### High Limit Reset:

The high limit may disengage during shipment of the unit. Press the high limit reset button located on the back of the unit. If the unit has two high limits, be sure to press both high limit reset buttons. See Fig. 2.7.



## Turn ON and OFF Hot Cabinet:



1. To turn on the cabinet, push the power switch to the ON ( I ) position. The light on the power switch will illuminate.
2. To turn off the cabinet, Push the power switch to the OFF ( 0 ) position. The light on the power switch will go out.

### 3. Cleaning

#### a. Before Cleaning:

**⚠ WARNING** : ELECTRICAL SHOCK

- Push the power switch to the off “0” position and unplug cabinet from electrical outlet.
- Do NOT spray cabinet with water.
- Do NOT clean cabinet with a steam cleaner.

**⚠ CAUTION** : BURN HAZARD

- Allow the cabinet to cool before cleaning.

**⚠ CAUTION** : CORROSIVE CHEMICAL HAZARD

- Wear proper Personal Protective Equipment when cleaning.

**NOTICE** : RISK OF DAMAGE TO CABINET

- Do NOT use harsh abrasives, solvents, or harsh chemicals to clean cabinet.
- Do NOT use metallic pads, brushes or scrapers to clean the cabinet.

#### For Best Results:

- DO Wipe-up spills as soon as possible.
- DO Clean the cabinet regularly to avoid heavy dirt build-up.
- DO Use the mildest cleaning procedure that will yield good results.
- DO Follow cleaning product manufacturers’ instructions.
- DO Test cleaners on a small area before using on the entire cabinet.
- DO Use only soft cloth or nylon scrub bristle brush/pad for routine cleaning.
- DO Clean door gasket with mild detergent and rinse with water.
- DO Clean glass components with glass cleaner if equipped.
- DO NOT mix cleaners.
- Do NOT use “CRESCLEAN” or any citrus based cleaner on plastic parts or labels.
- Do NOT spray cleaning agent or water onto control panel. Use a soft cloth to clean and rinse.
- The exterior metal finish has a directional grain. Wipe with the grain.

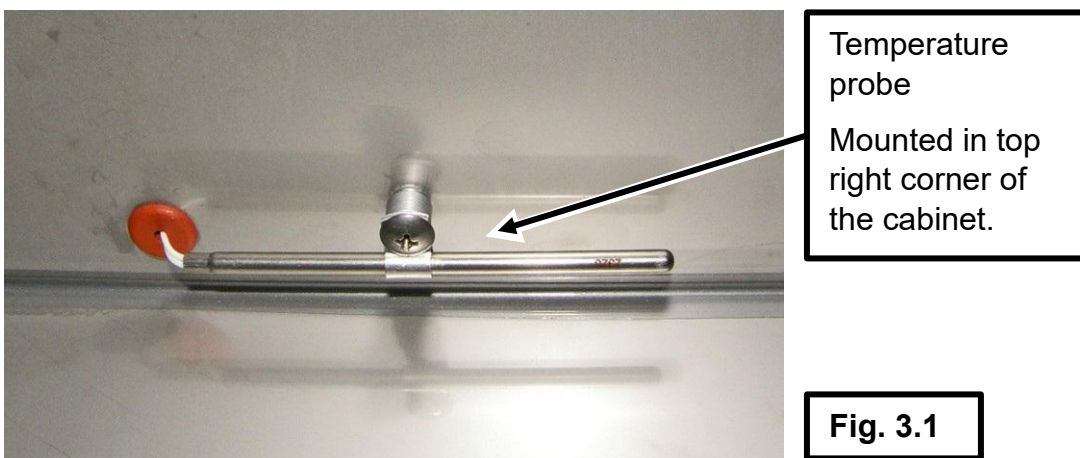
## Cleaning Solution Chart:

Soil	Cleaner	Method
Dirt	Mild Detergent* and hot water, or mild abrasive cleaner.	1. Wipe with soft, damp cloth. 2. Rinse with hot water. 3. Wipe Dry.
	Steam (no strong alkaline additive)	1. Rinse after steam cleaning. 2. Wipe Dry
Fingerprints, grease, oil	Mild abrasive cleaner. Oily or waxy cleaner.	Apply with soft, clean cloth.
	Chemical oven cleaner.	Follow oven cleaner manufacturer's instructions
Water Spots	Mild abrasive cleaner.	1. Apply with soft, clean cloth. 2. Wipe with damp cloth.
<i>*Mild detergent includes soaps and non-abrasive cleaners.</i>		

## Cleaning Temperature Probe:

Use care in cleaning around the temperature probe. See Fig. 3.1.

- Do not damage the temperature probe wires.
- Do not damage the temperature probe.
- Do not position the probe so that it touches the interior of the chamber.

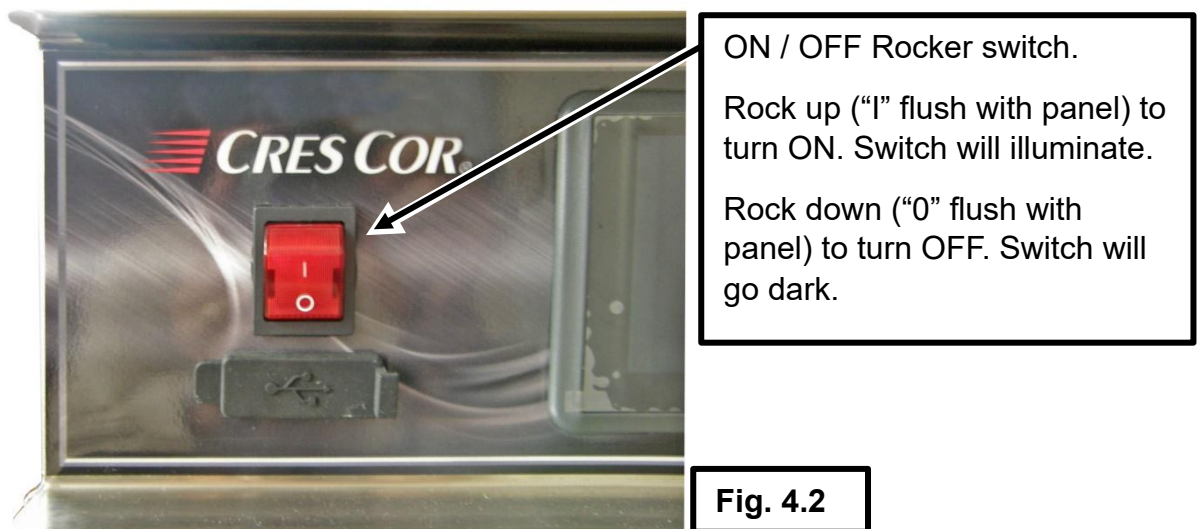
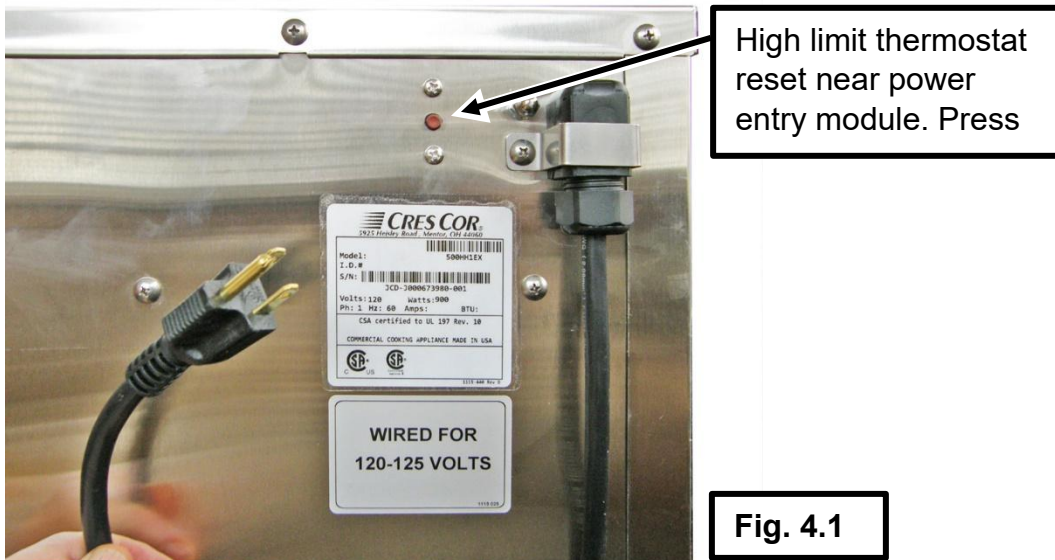


## 4. Troubleshooting

**⚠ WARNING:** If the Hot Cabinet gets too hot, or will not turn off, disconnect power at the supply panel circuit breaker before disconnecting the plug. Contact your authorized service agency for service.

### a. If the Hot Cabinet is not working, check the following:

- Make sure the cord is plugged into the outlet.
- Make sure the circuit breaker that supplies power to the Hot Cabinet is ON.
- Make sure the rocker switch near the control panel is turned ON.
- Make sure the temperature high limit on the back of the hot cabinet is not tripped.



## b. TROUBLE-SHOOTING CHART:

PROBLEM	POSSIBLE CAUSE	SOLUTION
Cabinet does not turn on (no light on switch and no power to control)	<ol style="list-style-type: none"> <li>1. Hot cabinet disconnected from wall outlet.</li> <li>2. Breaker at electric panel is "off".</li> <li>3. Power switch is defective.</li> </ol>	<ol style="list-style-type: none"> <li>1. Plug in hot cabinet.</li> <li>2. Turn on breaker.</li> <li>3. Replace.</li> </ol>

### IF THE CABINET TURNS ON:

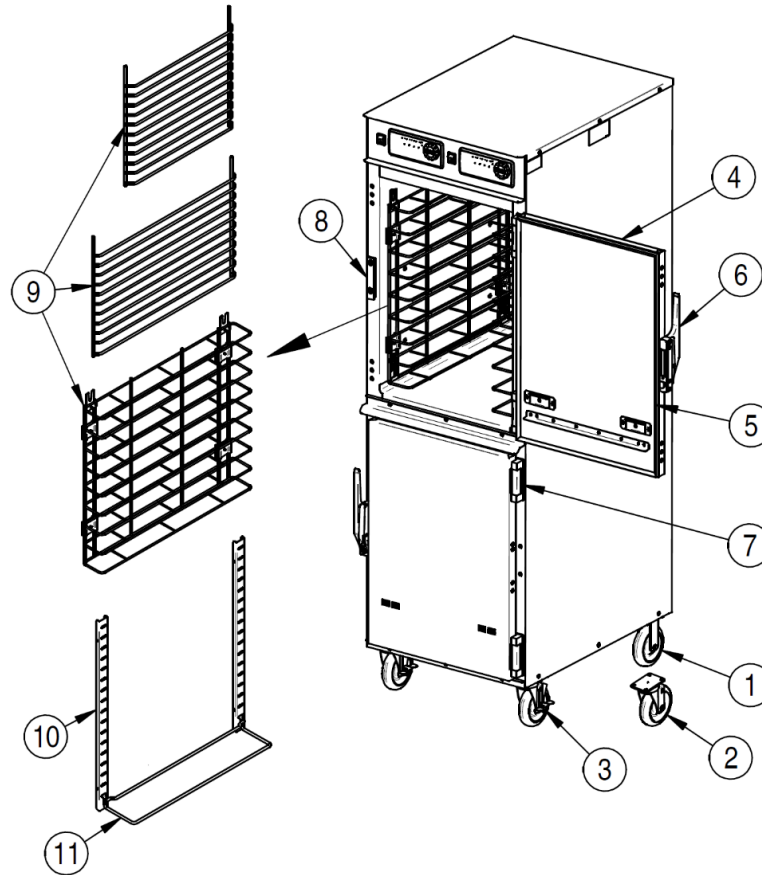
PROBLEM	POSSIBLE CAUSE	SOLUTION
Control does not turn on	<ol style="list-style-type: none"> <li>1. Wiring issue.</li> <li>2. Defective transformer.</li> <li>3. Control defective.</li> </ol>	<ol style="list-style-type: none"> <li>1. Check for disconnected or damaged wires.</li> <li>2. Replace transformer.</li> <li>3. Replace.</li> </ol>
Cabinet does not heat, or does not heat properly	<ol style="list-style-type: none"> <li>1. High Limit tripped.</li> <li>2. Cabinet air sensor defective.</li> <li>3. Heater relay defective.</li> <li>4. Temperature control defective.</li> </ol>	<ol style="list-style-type: none"> <li>1. Check if tripped-reset/Replace.</li> <li>2. Replace.</li> <li>3. Replace.</li> <li>4. Replace.</li> </ol>
Heater will not shut off	<ol style="list-style-type: none"> <li>1. Heater relay defective.</li> <li>2. Control defective.</li> </ol>	<ol style="list-style-type: none"> <li>1. Replace.</li> <li>2. Replace.</li> </ol>
GFCI device trips	<ol style="list-style-type: none"> <li>1. Electrical short.</li> <li>2. Moisture in heater.</li> <li>3. Defective heater.</li> </ol>	<ol style="list-style-type: none"> <li>1. Check for disconnected or damaged wires. Reconnect or replace wire.</li> <li>2. Plug the cabinet into a non-GFCI outlet and set the temperature control to its maximum. Run the cabinet for about 1 hour to dry out the heating elements from any moisture that may have been absorbed. After drying the heating elements, plug the cabinet into the GFCI receptacle; the cabinet should run properly. <b>If the GFCI device continues to trip, call the factory Authorized service agent</b></li> <li>3. Replace</li> </ol>

## c. ERROR CODES:

CODE DISPLAYED	MEANING	POSSIBLE CAUSE	SOLUTION
err0	No signal from temperature probe	<ol style="list-style-type: none"> <li>1. Temperature probe disconnected.</li> <li>2. Temperature probe defective.</li> <li>3. Temperature control defective.</li> </ol>	<ol style="list-style-type: none"> <li>1. Reconnect temperature probe.</li> <li>2. Replace.</li> <li>3. Replace.</li> </ol>
"LOtP <sup>r</sup> "	Low temperature	<ol style="list-style-type: none"> <li>1. Chamber temperature is below 140°F (60°C).</li> </ol>	<ol style="list-style-type: none"> <li>1. Allow the chamber to heat up to set temperature. Ensure set temperature is set to 140°F or above.</li> </ol>

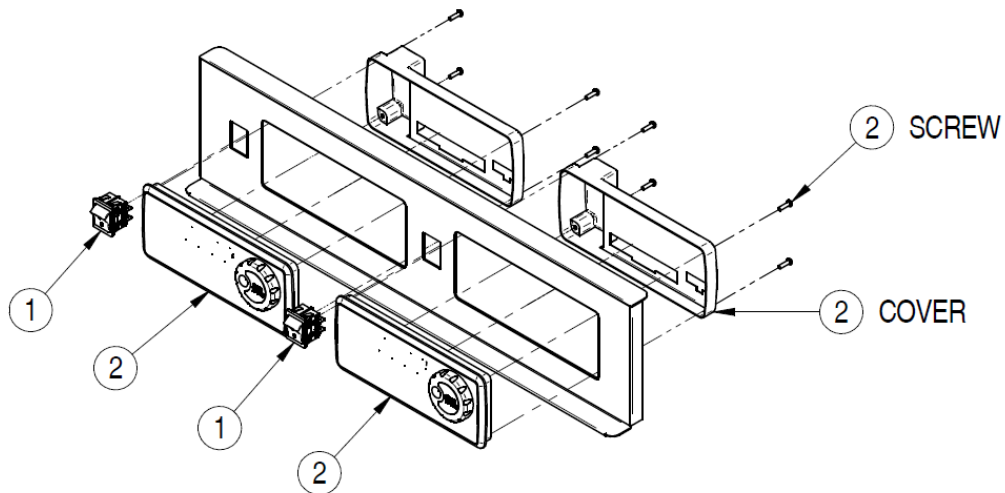
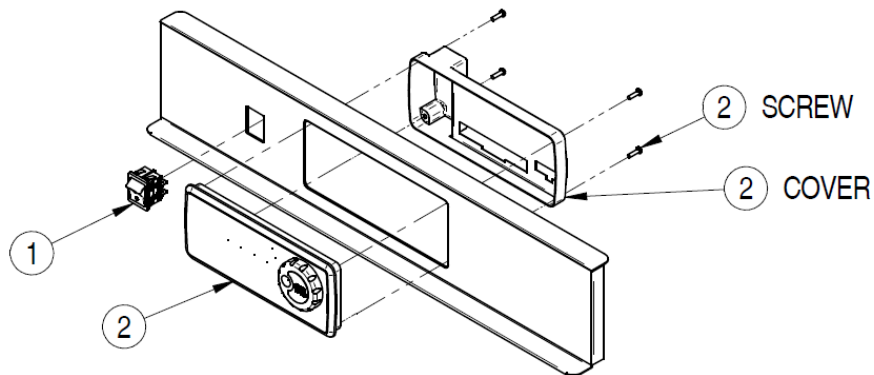
## 5. REPLACEMENT PARTS

### a. CABINET REPLACEMENT PARTS:



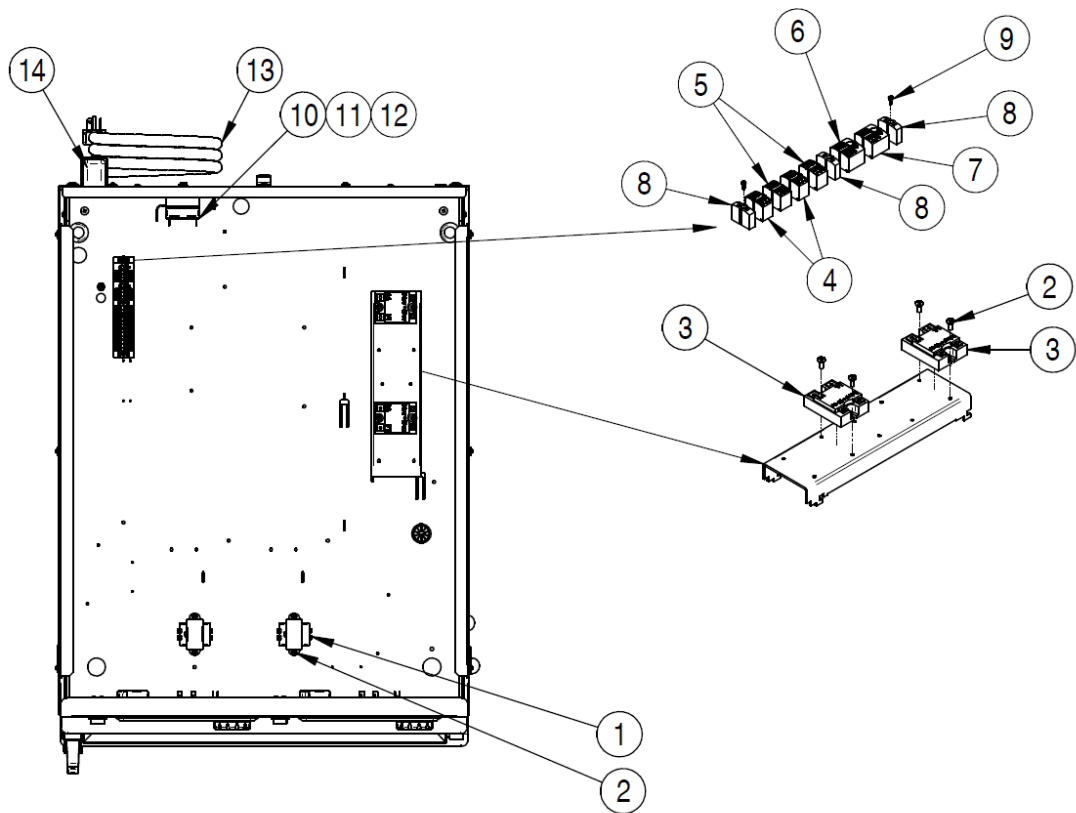
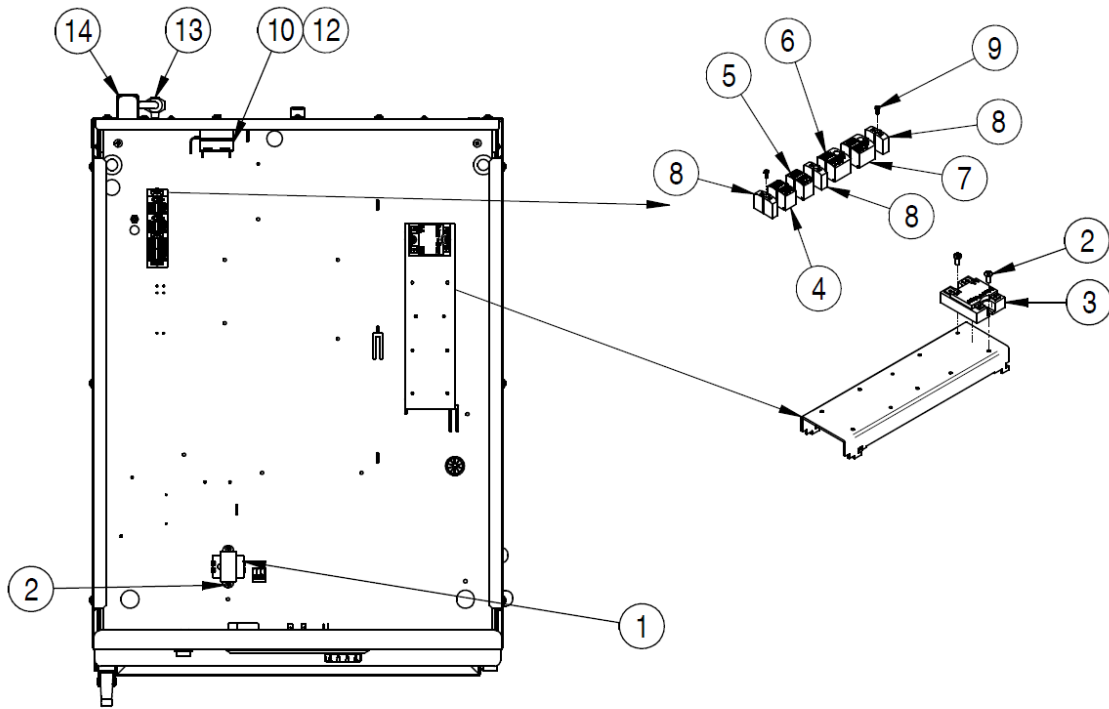
No.	Model Nos.	1000HH2EE	1200HH2EE	500HH1EE	750HH1EE
		1000HH1EE	1200HH1EE		
1	Caster, Rigid	0569-306-R	--	--	--
2	Caster, Swivel	--	0569-306	0569-313	0569-313
3	Caster, w/ brake	0569-306-B	0569-306-B	0569-313-B	0569-313-B
4	Door Asm.	1221-702-V-K	1221-689-V-K	1221-710-V-K	1221-711-V-K
	Door Asm., Window	1221-702-MV-K	1221-689-MV-K	1221-710-MV-K	1221-711-MV-K
5	Door Gasket	0861-309	0861-303	0861-306	0861-314
6	Door Latch Kit	1006-122-01-K	1006-122-01-K	1006-122-01-K	1006-122-01-K
7	Hinge Kit (2)	0519-109-K	0519-109-K	0519-109-K	0519-109-K
8	Latch Strike Kit	1006-122-02-K	1006-122-02-K	1006-122-02-K	1006-122-02-K
9	Pan Slide Insert (1)	1170-122-01	--	1170-251	1170-249
10	Post, Angle (1)	--	0696-274	--	--
11	Angle Kit (2 per kit)	--	0621-281-K	--	--

**b. ELECTRICAL COMPONENTS-CONTROL:**



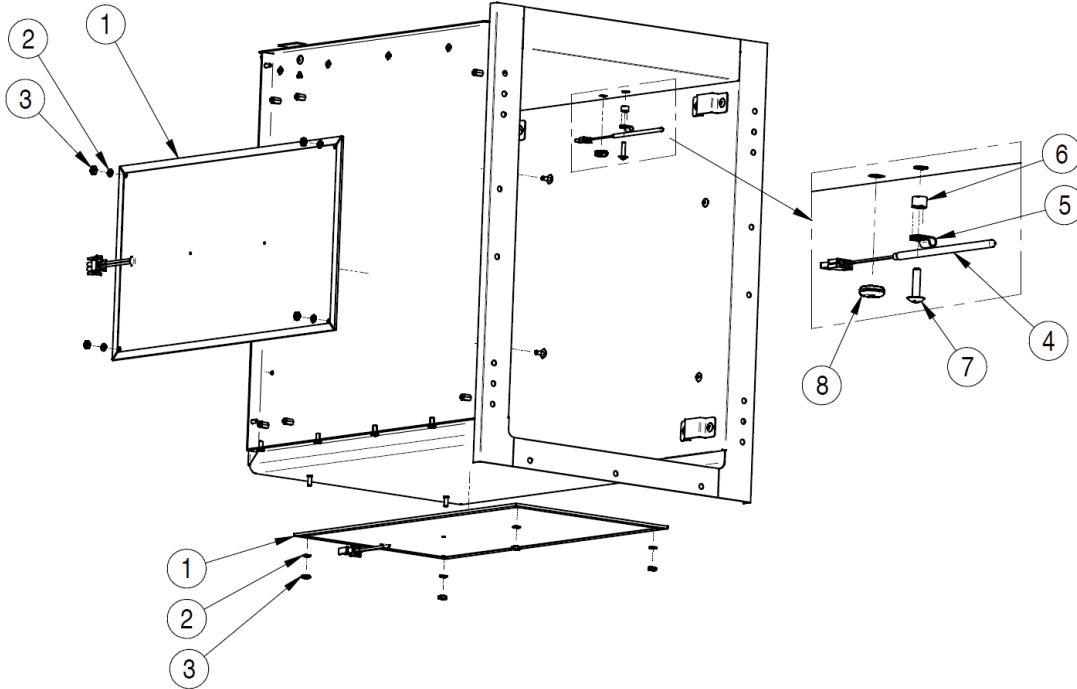
	<b>Model Nos.</b>	<b>500HH1EE 750HH1EE</b>	<b>1000HH1EE 1000HH2EE-UPPER 1200HH1EE 1200HH2EE-UPPER</b>	<b>1000HH2EE-LOWER 1200HH2EE-LOWER</b>
<b>No.</b>	<b>Part Description</b>			
1	Switch, On/Off, 120V	0808-136	0808-136	0808-136
1	Switch, On/Off, 240V	0808-139	0808-139	0808-139
2	Digital Control	0848-092-32-K	0848-092-30-K	0848-092-31-K

**c. ELECTRICAL COMPONENTS-PANEL:**



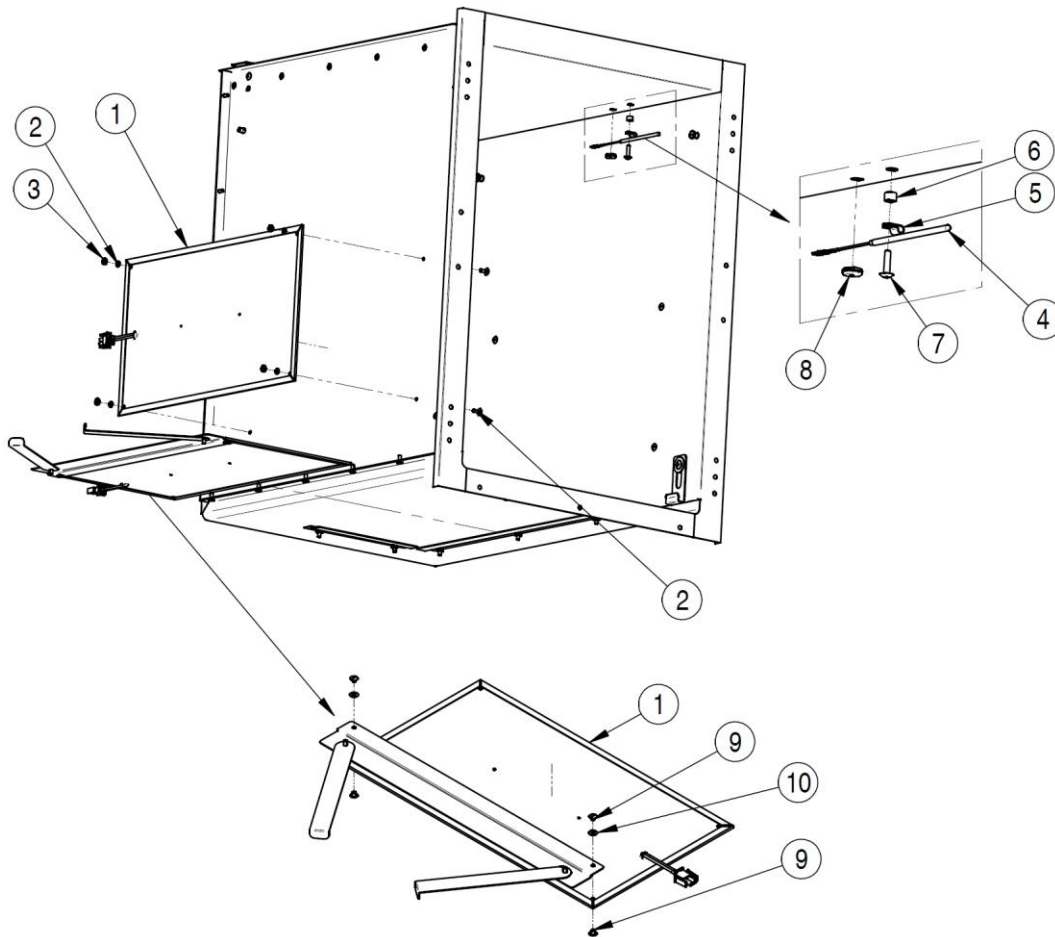
	<b>Model Nos.</b>	<b>-HH2EE UNITS</b>	<b>-HH1EE UNITS</b>
<b>No.</b>	<b>Part Description</b>		
1	Transformer	0769-197	0769-197
2	Screw, #8 X 3/8"	0567-193	0567-193
3	Solid State Relay	0857-136	0857-136
4	Term Block, 6-pole, BL	0852-134	0852-134
5	Term Block, 6-pole, BR	0852-138	0852-138
6	Term Block, 7-pole, BL	0852-135	0852-135
7	Term Block, 7-pole, BR	0852-139	0852-139
8	Term Block, END	0852-142	0852-142
9	Screw, 4-40 X 3/8	0567-874	0567-874
10	High Limit (upper)	0848-126	0848-126
11	High Limit (lower)	0848-126-01	--
12	Screw, M4-0.7 X 6mm	0565-002	0565-002
13	Power Cord, 120V	0810-065-120-01	0810-029-72-01
	Power Cord, 240V	0810-039-120 01	0810-039-72-01
14	Strain Relief	0818-095	0818-110

**d. ELECTRICAL COMPONENTS-CABINET: (500HH1EE)**



No.	Part Description	
1	Heater, 120V	0811-341-K
	Heater, 240V	0811-341-230-K
2	Washer, Lock, #10	0567-074
3	Nut, #10-24	0567-060
4	Sensor, Control	0848-091-01
5	Clamp, Tube	0806-069
6	Spacer	0818-017
7	Screw 10-24 X 3/4	0567-123-P
8	Grommet	1202-016

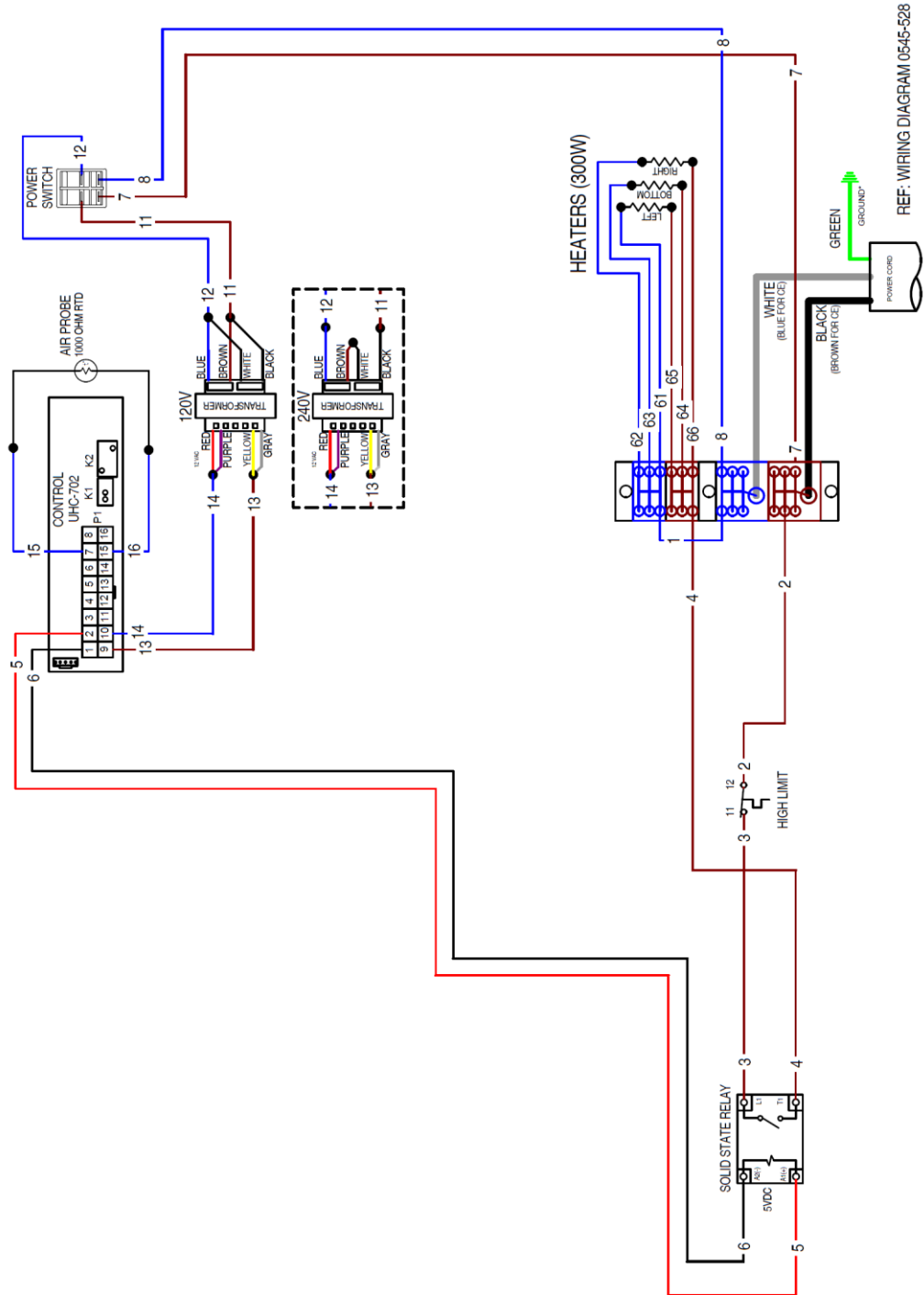
**e. ELECTRICAL COMPONENTS-CABINET: (750HH1EE, 1000HH1EE, 1200HH1EE)**



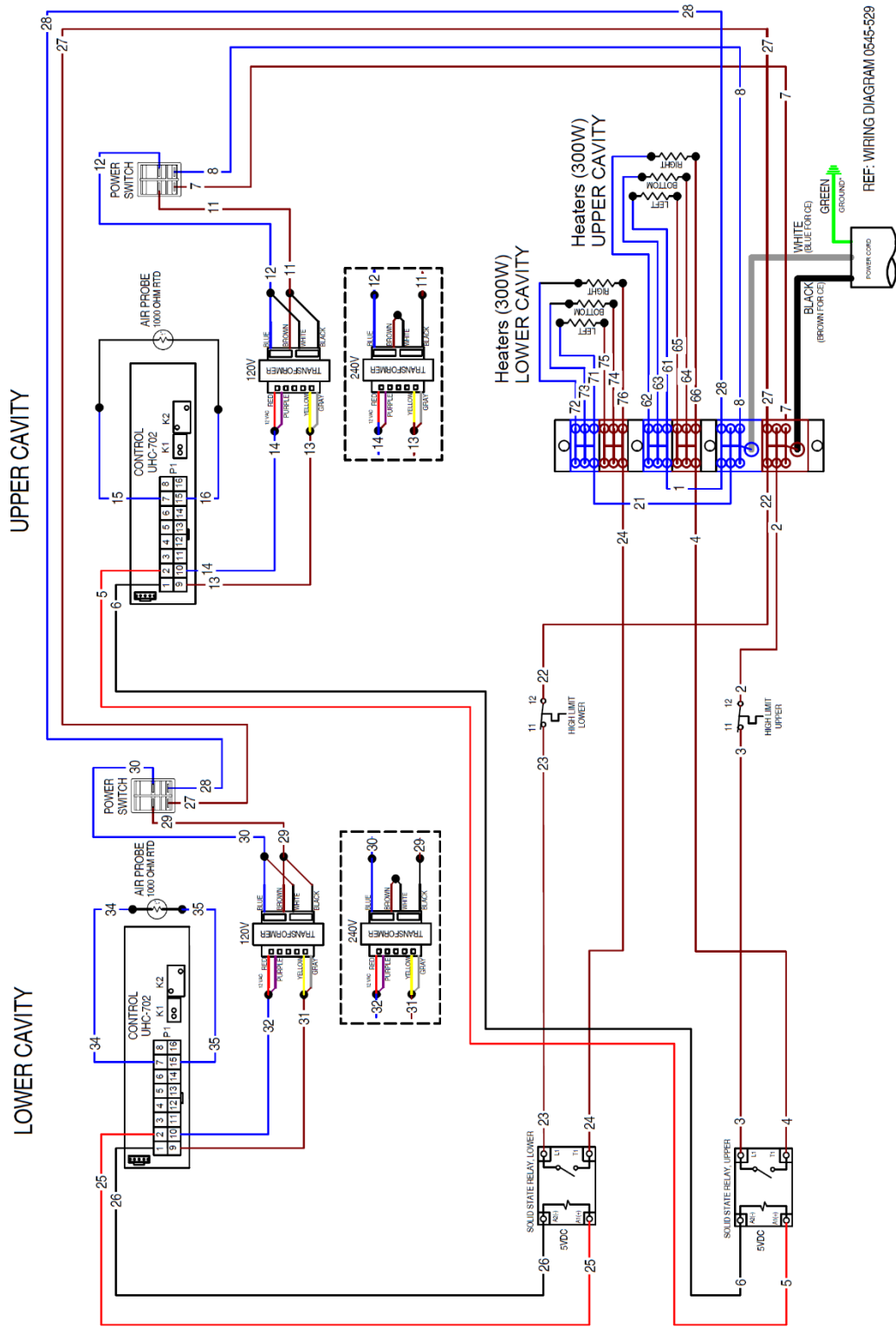
No.	Part Description	
1	Heater, 120V	0811-341-K
	Heater, 240V	0811-341-230-K
2	Washer, Lock, #10	0567-074
3	Nut, #10-24	0567-060
4	Sensor, Control	0848-091-01
5	Clamp, Tube	0806-069
6	Spacer	0818-017
7	Screw 10-24 X 3/4	0567-123-P
8	Grommet	1202-016
9	Screw, Binding	0567-852
10	Washer, Flat	0567-307

## 6. WIRING DIAGRAM:

### a. Models: 500HH1EE, 750HH1EE, 1000HH1EE, 1200HH1EE



## b. Models: 1000HH2EE, 1200HH2EE





5925 Heisley Road, Mentor, OH 44060, USA  
Ph: +1-440-350-1100  
www.crescor.com

Hot Cabinet

- 500HH1EE
- 750HH1EE
- 1000HH1EE
- 1000HH2EE
- 1200HH1EE
- 1200HH2EE

Model No. \_\_\_\_\_

Serial No. \_\_\_\_\_

Order No. \_\_\_\_\_