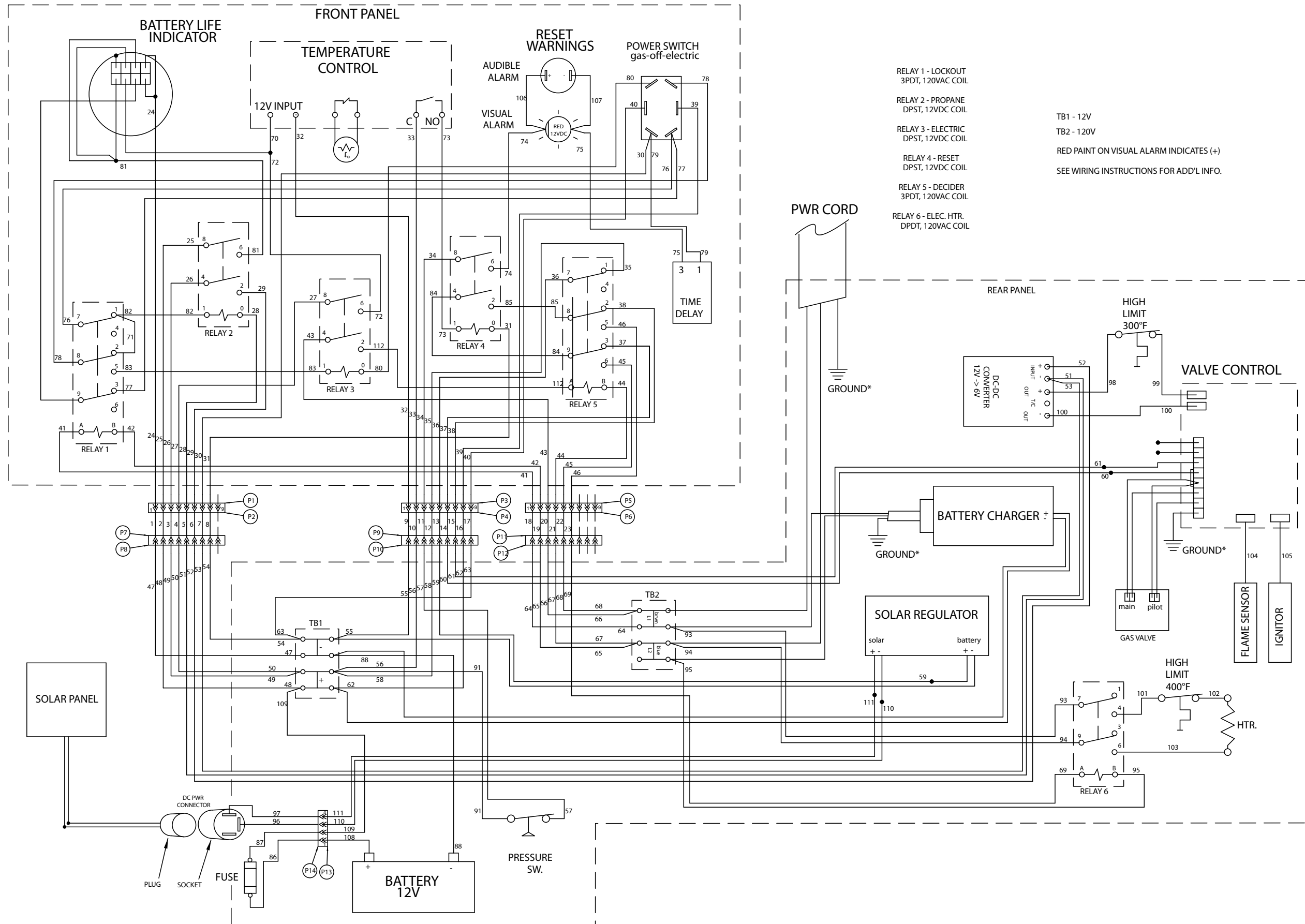


WIRING DIAGRAM

| | |
|-----------------|----------------|
| Holding Cabinet | FL-2361 |
| Rev. 3 (5/13) | Page 12 of 12 |



- RELAY 1 - LOCKOUT
3PDT, 120VAC COIL
- RELAY 2 - PROPANE
DPST, 12VDC COIL
- RELAY 3 - ELECTRIC
DPST, 12VDC COIL
- RELAY 4 - RESET
DPST, 12VDC COIL
- RELAY 5 - DECIDER
3PDT, 120VAC COIL
- RELAY 6 - ELEC. HTR.
DPST, 120VAC COIL

TB1 - 12V
TB2 - 120V
RED PAINT ON VISUAL ALARM INDICATES (+)
SEE WIRING INSTRUCTIONS FOR ADD'L INFO.

PWR CORD

REAR PANEL

VALVE CONTROL

BATTERY CHARGER +

SOLAR REGULATOR

SOLAR PANEL

BATTERY LIFE INDICATOR

FRONT PANEL

TEMPERATURE CONTROL

RESET WARNINGS

POWER SWITCH
gas-off-electric

TIME DELAY

HIGH LIMIT
300°F

GAS VALVE

FLAME SENSOR

IGNITOR

HIGH LIMIT
400°F

HTR.

PRESSURE SW.

BATTERY
12V

DC PWR CONNECTOR

PLUG

SOCKET

FUSE