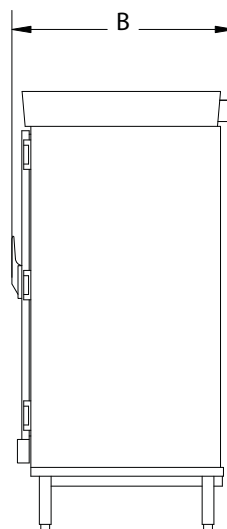
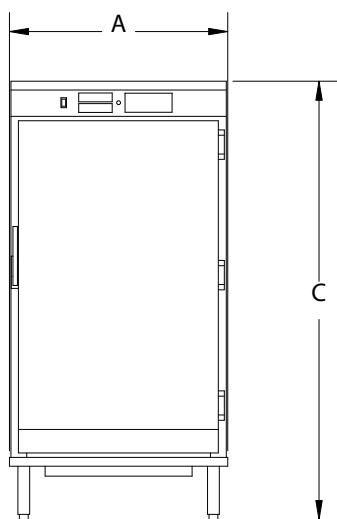


NOTE: DOOR CLEARANCE IS 36" (915 MM)

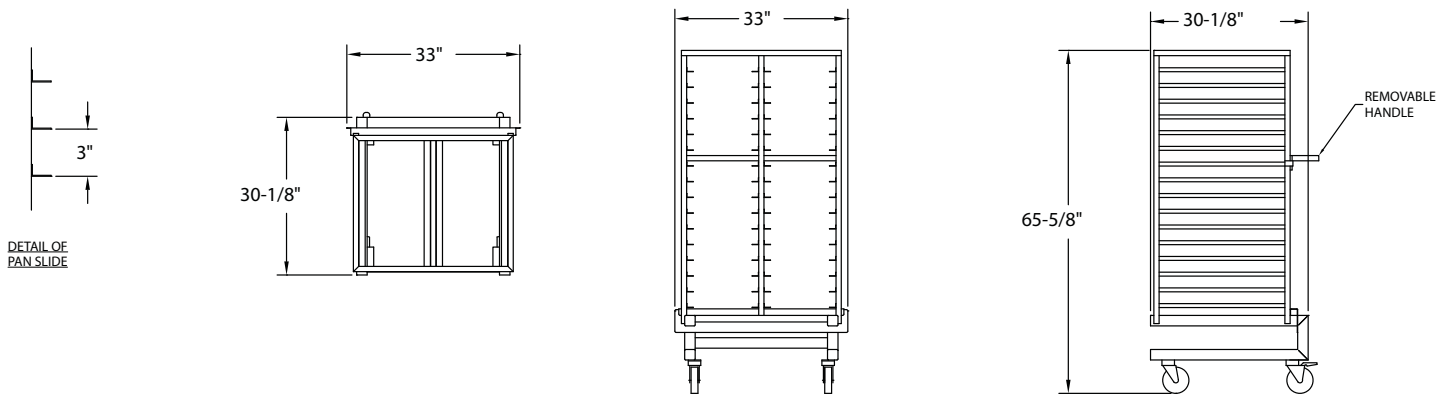


CRES COR MODEL NO.	BASKET			DIM "A"	DIM "B"	DIM "C"	INSIDE DIMENSIONS			WEIGHT ACT.	
	CAP	SIZE		WIDTH	DEPTH	HEIGHT	WIDTH	DEPTH	HEIGHT		
RR-1332	32	13 X 26	IN	37-1/8	36	74-1/8	32	26-15/16	54-5/8	LBS	455
		330 X 660	MM	940	915	1880	815	685	1390	KG	206

INSTALLATION REQUIREMENTS:

Check local vent hood codes for mobile Retherm Ovens.

ROR201SBS1332 for RR1332



ROLL-IN RACK:

- Angles (16 sets): Formed, permanently attached, spaced on 3" centers.
- 5" dia. swivel, modulus tires, 1-1/4" wide, load cap. 250 lbs. each, temp. range -45°/+180°F. Delrin bearings. Two casters equipped with brakes.
- Capacity: 2 baskets side-by-side, 16 baskets high, 32 baskets total, 320 meals total.
- Total weight capacity for retherm: Maximum unit loading equals 150 lbs. equally distributed among 32 baskets at 4.66 lbs./basket, per Annex B in NSF Standard 4 "Performance Test Methods for Rethermalization Equipment".
- NOTE: BASKETS NOT INCLUDED.



5925 Heisley Road • Mentor, OH 44060-1833
Phone: 877/CRESCOR • Fax: 440/350-7267
www.crescor.com

© Crescent Metal Products, Inc. 2009 All rights reserved.

In line with its policy to continually improve its products, CRES COR reserves the right to change materials and specifications without notice.

Litho in U.S.A.